

BOMBARDIER CHALLENGER & GLOBAL SERIES AIRCRAFT

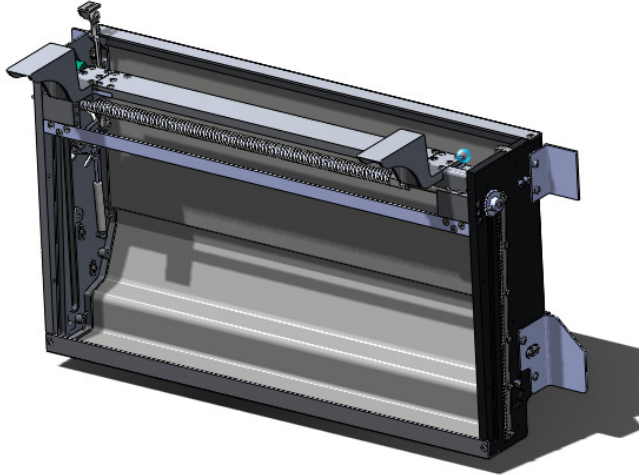
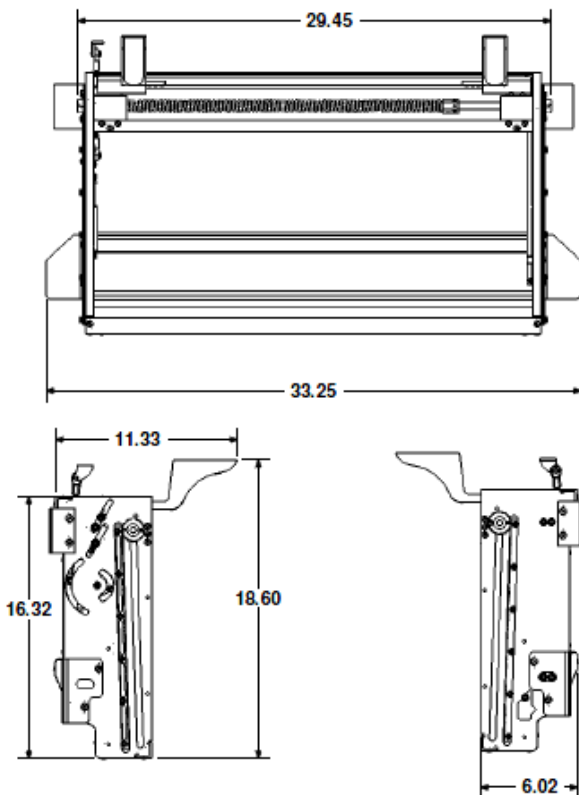


TABLE ASSEMBLY SHOWN AS SHIPPED



3523-017 SIDE LEDGE PULL-OUT TABLE ASSEMBLY

FEATURES

- SYNCHRONIZED MECHANISM CLOSES LID AS TABLE DEPLOYS
- ADJUSTABLE RACK PROVIDES INSTALLATION FLEXIBILITY
- STAINLESS STEEL RACK & PINION GEARS OFFER STRENGTH, DURABILITY AND EASE OF OPERATION
- REMOVABLE TABLE ARMS FOR PLATING
- MECHANICAL OPERATION

RECOMMENDED LOCATION(S)

MAIN CABIN

TABLE ASSEMBLY DIMENSIONS*

- **DIMENSIONS:** 16.32" H x 29.45" W x 6.02" D

* APPROXIMATE MEASUREMENT; DOES NOT INCLUDE MOUNTING BRACKETS, TABLE ARMS OR TABLE TOP

WEIGHT*

12 LBS.

* DOES NOT INCLUDE TABLE TOP

PART NUMBER

3523-017-1

**TABLE ASSEMBLY SIZE/DIMENSIONS
CAN BE CUSTOMIZED**