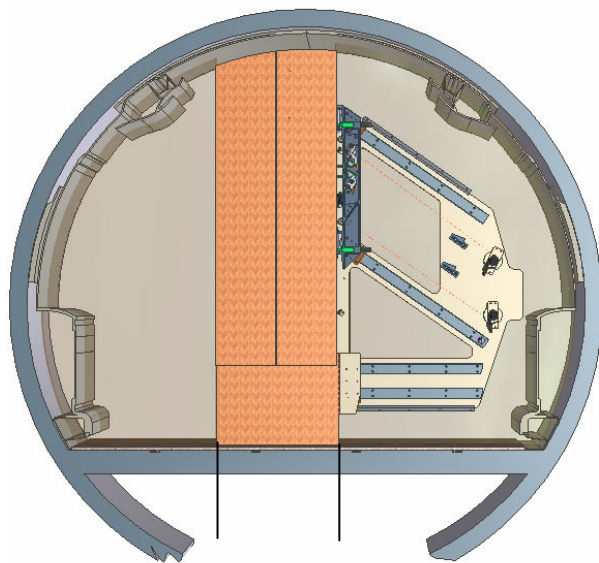
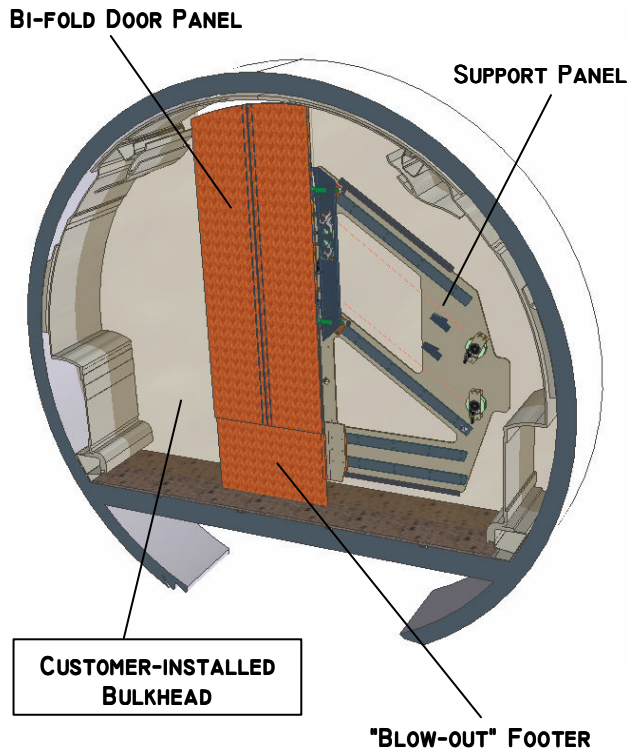


**BOMBARDIER --
G5000, GLOBAL EXPRESS, XRS**



BL 17.0 BL 5.0

3519-135-3 MANUAL DOOR SHOWN

**3519-135 SINGLE POCKET DOOR
ASSEMBLY – Automatic or Manual
– Support Panel included**

FEATURES

- AUTOMATIC OR MANUAL OPERATION
- SAFETY HINGES ALLOW DOOR TO ROTATE SHOULD SUDDEN CABIN DECOMPRESSION OCCUR
- UNIQUE "BLOW-OUT" SAFETY FOOTER PROVIDES 2ND DECOMPRESSION OUTLET
- SUPPORT PANEL INCLUDED FOR EASY INSTALLATION

DOOR TYPE

SINGLE BI-FOLD

DOOR OPENING SIZE

22.00" (MAXIMUM)

RECOMMENDED LOCATION(S)

MID-CABIN

POCKET SIZE REQUIRED

2.25" OR MORE

WEIGHT (WITHOUT COVERING)*

37.0 LBS. (MANUAL)

38.5 LBS. (AUTOMATIC)

* INCLUDES SUPPORT PANEL BUT NOT DOOR COVERING

PART NUMBERS

3519-135-1 AUTOMATIC

3519-135-2 AUTOMATIC (OPPOSITE)

3519-135-3 MANUAL

3519-135-4 MANUAL (OPPOSITE)

NOTE: DECORATIVE PARTITION MUST BE EASILY REMOVABLE FOR DOOR INSTALLATION AND ADJUSTMENT