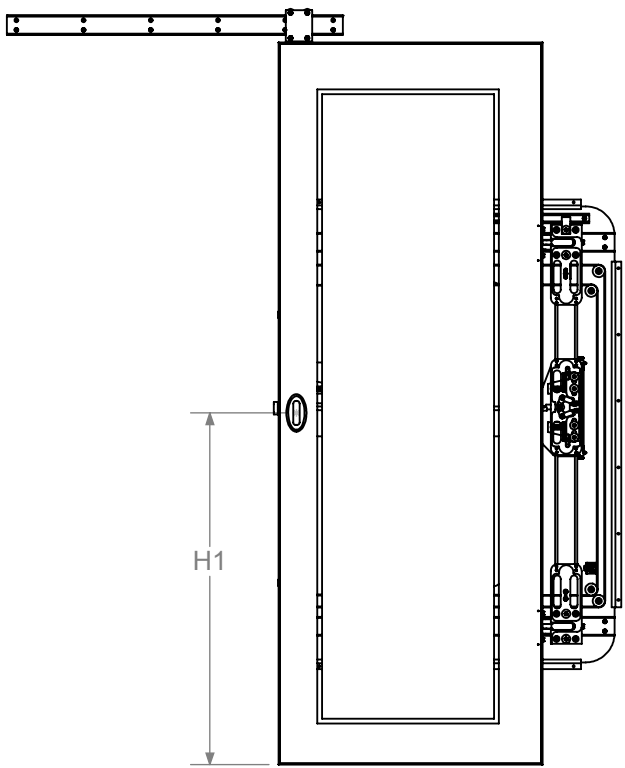
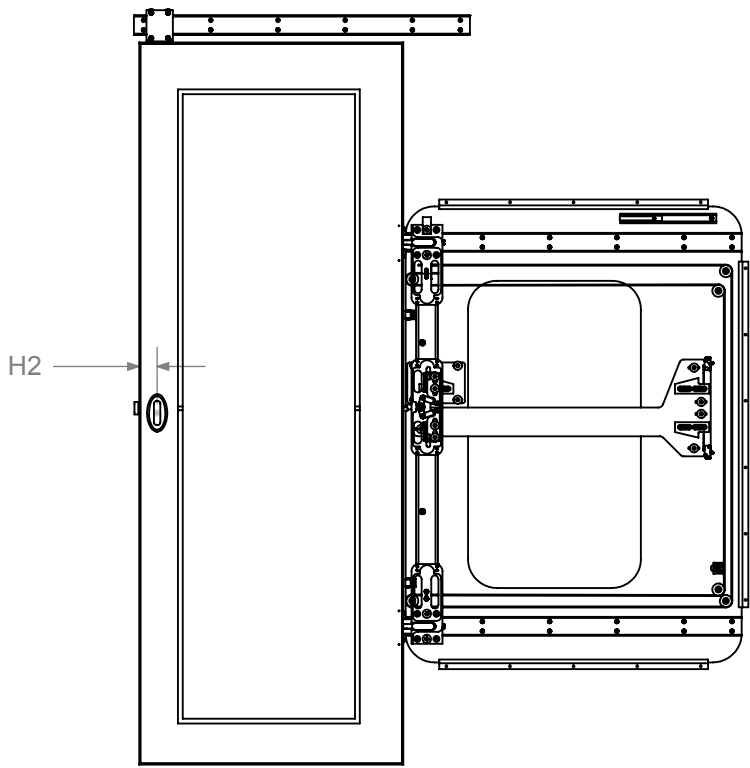


8 7 6 5 4 3 2 1

REV.	DATE	DESCRIPTION
IR	1/20/12	INITIAL RELEASE

NOTE:
SEE E.O FOR H1 AND H2

D
C
B
A



D
C
B
A
REV IR

**DETAIL -1 POCKET DOOR ASSEMBLY
DEPLOYED**

**DETAIL -1 POCKET DOOR ASSEMBLY
STOWED**

UNLESS OTHERWISE SPECIFIED DIMENSIONS ARE IN INCHES			DRAWN BY	MT	DATE	1/20/12	 5362 INDUSTRIAL DRIVE HUNTINGTON BEACH, CA 92649
TOLERANCES ON DECIMALS			CHECKED BY	MH	DATE	1/20/12	
.0 ± .1	MACH.	FORMED	APPROVED	MH	DATE	1/20/12	
.00 ± .01			±0°30'	±2°			
.000 ± .005			DO NOT SCALE PRINT BREAK ALL SHARP EDGES			TITLE	
ODD DASH NO'S SHOWN NEXT HIGHER CONSECUTIVE EVEN DASH NUMBER OPPOSITE			SIZE			SCALE	DRAWING NUMBER
			A			1:20	3519-195
							SHEET NO. 6 OF 6

STEECON CORPORATION PROPRIETARY RIGHTS ARE INCLUDED IN THE INFORMATION DISCLOSED HEREIN. RECIPIENT BY ACCEPTING THIS DOCUMENT AGREES THAT NEITHER THIS DOCUMENT NOR THE INFORMATION DISCLOSED HEREIN NOR ANY PART THEREOF SHALL BE REPRODUCED OR TRANSFERRED TO OTHER DOCUMENTS OR USED OR DISCLOSED TO OTHERS FOR MANUFACTURING OR FOR ANY OTHER PURPOSE EXCEPT AS SPECIFICALLY AUTHORIZED IN WRITING BY STEECON CORPORATION.

8 7 6 5 4 3 2 1

FILE:3519-195 POCKET DOOR ASSY