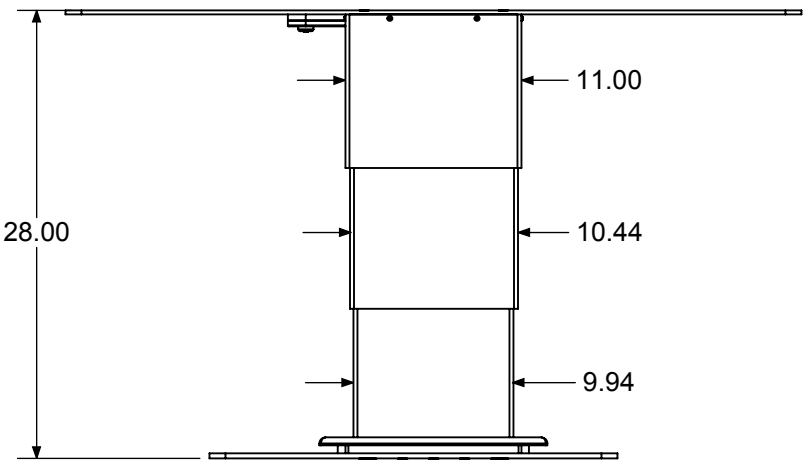
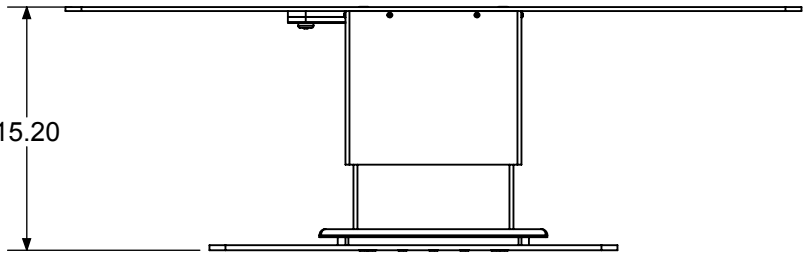
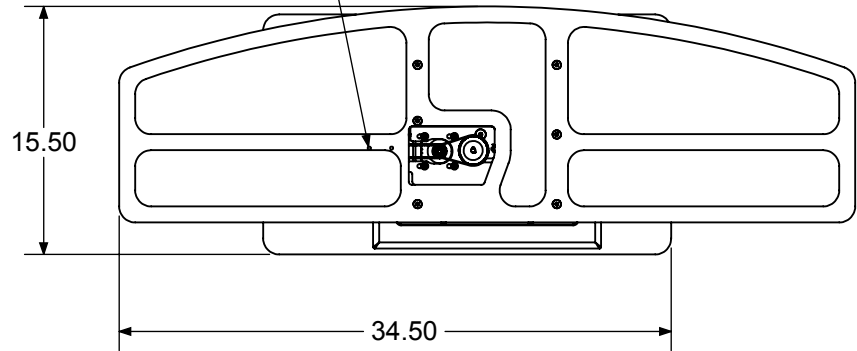


REV.	DATE	DESCRIPTION
IR	2/10/12	INITIAL RELEASE
A	2/21/12	UPDATED ASSEMBLY
B	3/1/12	UPDATED ASSEMBLY-ADDED OVERRIDE ASSEMBLY P/N 3539640

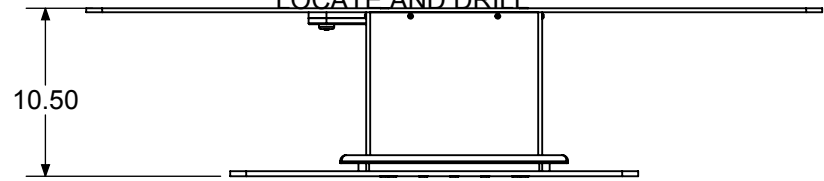


FULLY DEPLOYED

LOCATE AND DRILL
2X Ø .159 THRU ALL
10-32 UNF THRU ALL
AT INSTALLATION




LOCATE AND DRILL



STOWED

DETAIL -1

STEECON CORPORATION PROPRIETARY RIGHTS ARE INCLUDED IN THE INFORMATION DISCLOSED HEREIN. RECIPIENT BY ACCEPTING THIS DOCUMENT AGREES THAT NEITHER THIS DOCUMENT NOR THE INFORMATION DISCLOSED HEREIN NOR ANY PART THEREOF SHALL BE REPRODUCED OR TRANSFERRED TO OTHER DOCUMENTS OR USED OR DISCLOSED TO OTHERS FOR MANUFACTURING OR FOR ANY OTHER PURPOSE EXCEPT AS SPECIFICALLY AUTHORIZED IN WRITING BY STEECON CORPORATION.

UNLESS OTHERWISE SPECIFIED DIMENSIONS ARE IN INCHES			DRAWN BY	MT	DATE	2/10/12	 5362 INDUSTRIAL DRIVE HUNTINGTON BEACH, CA 92649	
TOLERANCES ON DECIMALS			CHECKED BY	MH	DATE	2/10/12		
MACH. ANGLES			APPROVED	MH	DATE	2/10/12		
.0 ± .1								
.00 ± .01	±0°30'	±2°					TITLE	SINGLE PEDESTAL HI LO TABLE-ELECTRIC
DO NOT SCALE PRINT BREAK ALL SHARP EDGES							DRAWING NUMBER	3537-033
ODD DASH NO'S SHOWN NEXT HIGHER CONSECUTIVE EVEN DASH NUMBER OPPOSITE					SIZE	A	SCALE	1:12
					SHEET NO.			4 OF 4