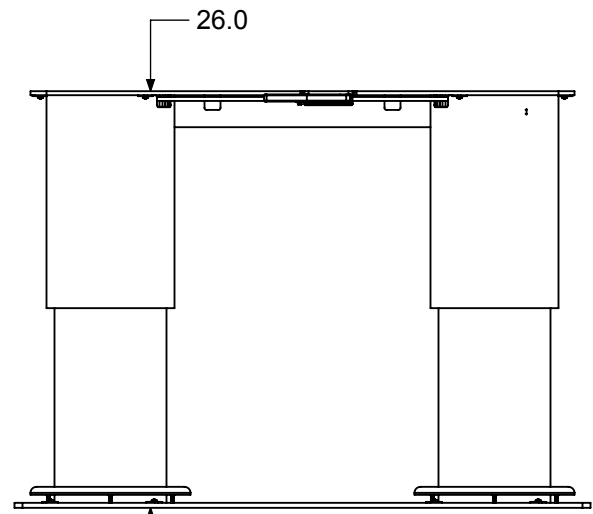
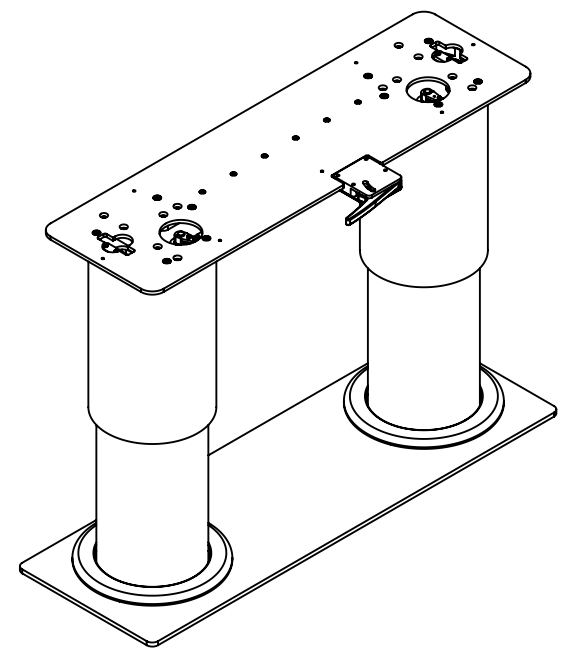
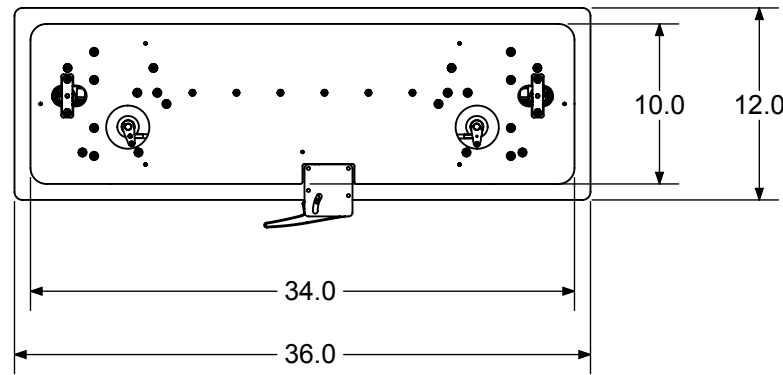
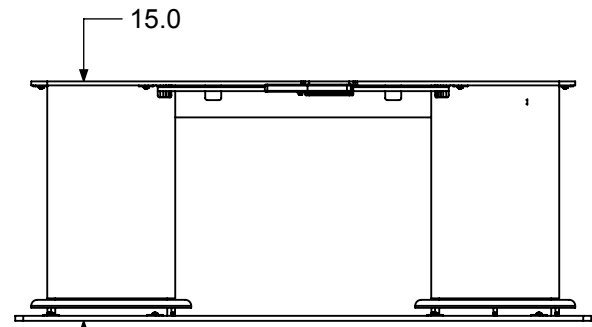


REV.	DATE	DESCRIPTION
IR	1/9/15	INITIAL RELEASE
A	2/17/15	UPDATED BEZEL RING PART NUMBER




**DEPLOYED**



**STOWED**

STEECON CORPORATION PROPRIETARY RIGHTS ARE INCLUDED IN THE INFORMATION DISCLOSED HEREIN. RECIPIENT BY ACCEPTING THIS DOCUMENT AGREES THAT NEITHER THIS DOCUMENT NOR THE INFORMATION DISCLOSED HEREIN NOR ANY PART THEREOF SHALL BE REPRODUCED OR TRANSFERRED TO OTHER DOCUMENTS OR USED OR DISCLOSED TO OTHERS FOR MANUFACTURING OR FOR ANY OTHER PURPOSE EXCEPT AS SPECIFICALLY AUTHORIZED IN WRITING BY STEECON CORPORATION.

UNLESS OTHERWISE SPECIFIED DIMENSIONS ARE IN INCHES			DRAWN BY	JD	DATE	1/9/15	 5362 INDUSTRIAL DRIVE HUNTINGTON BEACH, CA 92649		
TOLERANCES ON DECIMALS			CHECKED BY	MH	DATE	1/9/15			
.0 ± .1	MACH.	FORMED	APPROVED	MH	DATE	1/9/15			
.00 ± .01	±0°30'	±2°							
.000 ± .005			DO NOT SCALE PRINT BREAK ALL SHARP EDGES				TITLE	DUAL PEDESTAL HI LO TABLE-MANUAL	
ODD DASH NO'S SHOWN NEXT HIGHER CONSECUTIVE EVEN DASH NUMBER OPPOSITE			SIZE				A	SCALE	1:12
				DRAWING NUMBER		3537-070-1-001			
				SHEET NO.		2 OF 3			

REV A  
FILE: 3537-070-1-001 DUAL PEDESTAL HI LO TABLE-MANUAL