

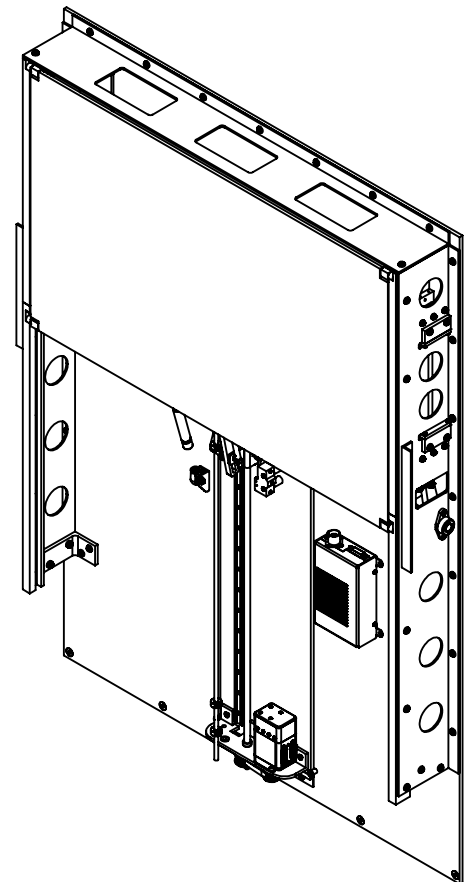
8 7 6 5 4 3 2 1

NOTES:

1. PURCHASE FROM MCMASTER CARR

REV.	DATE	DESCRIPTION
A	5/13/08	UPDATED TO SOLIDWORKS

D
C
B
A



1	25	3528362-1	SIDE SUPPORT LH	
1	24	3528361-2	SIDE MOUNTING PLATE	
1	23	3528361-1	SIDE MOUNTING PLATE	
2	22	3528215-1	SUPPORT ANGLE	
1	21	3528213-3	MONITOR ACTUATOR ROD	
1	20	3528211-3	RETAINER PANEL - 31 INCH	
1	19	3528210-1	MOTION ROD SUPPORT	
1	18	3528209-1	GAS SPRING BRACKET	
2	17	3528208-3	MONITOR GEARING ROD	
1	16	3528207-1	SHAFT COLLAR - MODIFIED	
1	15	3528206-3	MONITOR MOTION ROD - 31 INCH	
1	14	3528205-1	RETAINER PIN	
1	13	3528202-1	GAS SPRING ARM	
2	12	3528200-1	TIE BAR	
1	11	3528199-1	SHOCK ARM	
4	10	3528197-1	RACK BRACKET	
1	9	3528193-2	TRACKBOTTOM - 31 INCH	
1	8	3528193-1	TRACKBOTTOM - 31 INCH	
1	7	3528192-2	TRACK TOP - 31 INCH	
1	6	3528192-1	TRACK TOP - 31 INCH	
4	5	3528191-1	GUIDE MOUNT PLATE	
2	4	3528189-2	GEAR CARRIER	
2	3	3528189-1	GEAR CARRIER	
1	2	3528188-2	MONITOR ARM	
1	1	3528188-1	MONITOR ARM	
-1	ITEM	PART NUMBER	Description	NOTE

UNLESS OTHERWISE SPECIFIED DIMENSIONS ARE IN INCHES		DRAWN BY	J CILEO	DATE	05/13/08	 STEECON ENTERPRISES 5362 INDUSTRIAL DRIVE HUNTINGTON BEACH, CA 92649	
TOLERANCES ON DECIMALS		CHECKED BY	M HANSON	DATE	05/13/08		
MACH. ANGLES		APPROVED	M HANSON	DATE	05/13/08		
.0 ± .1	MACH.	FORMED					
.00 ± .01	±0°30'	±2°				TITLE	ARTWORK MECHANISM ASM
DO NOT SCALE PRINT BREAK ALL SHARP EDGES				SIZE	A	SCALE	1:12
ODD DASH NO'S SHOWN NEXT HIGHER CONSECUTIVE EVEN DASH NUMBER OPPOSITE				DRAWING NUMBER	3527-004		SHEET NO. 1 OF 6

STEECON CORPORATION PROPRIETARY RIGHTS ARE INCLUDED IN THE INFORMATION DISCLOSED HEREIN. RECIPIENT BY ACCEPTING THIS DOCUMENT AGREES THAT NEITHER THIS DOCUMENT NOR THE INFORMATION DISCLOSED HEREIN NOR ANY PART THEREOF SHALL BE REPRODUCED OR TRANSFERRED TO OTHER DOCUMENTS OR USED OR DISCLOSED TO OTHERS FOR MANUFACTURING OR FOR ANY OTHER PURPOSE EXCEPT AS SPECIFICALLY AUTHORIZED IN WRITING BY STEECON CORPORATION.

8 7 6 5 4 3 2 1

REV.	DATE	DESCRIPTION
A	5/13/08	UPDATED TO SOLIDWORKS

D

D

C

C


B

B

A

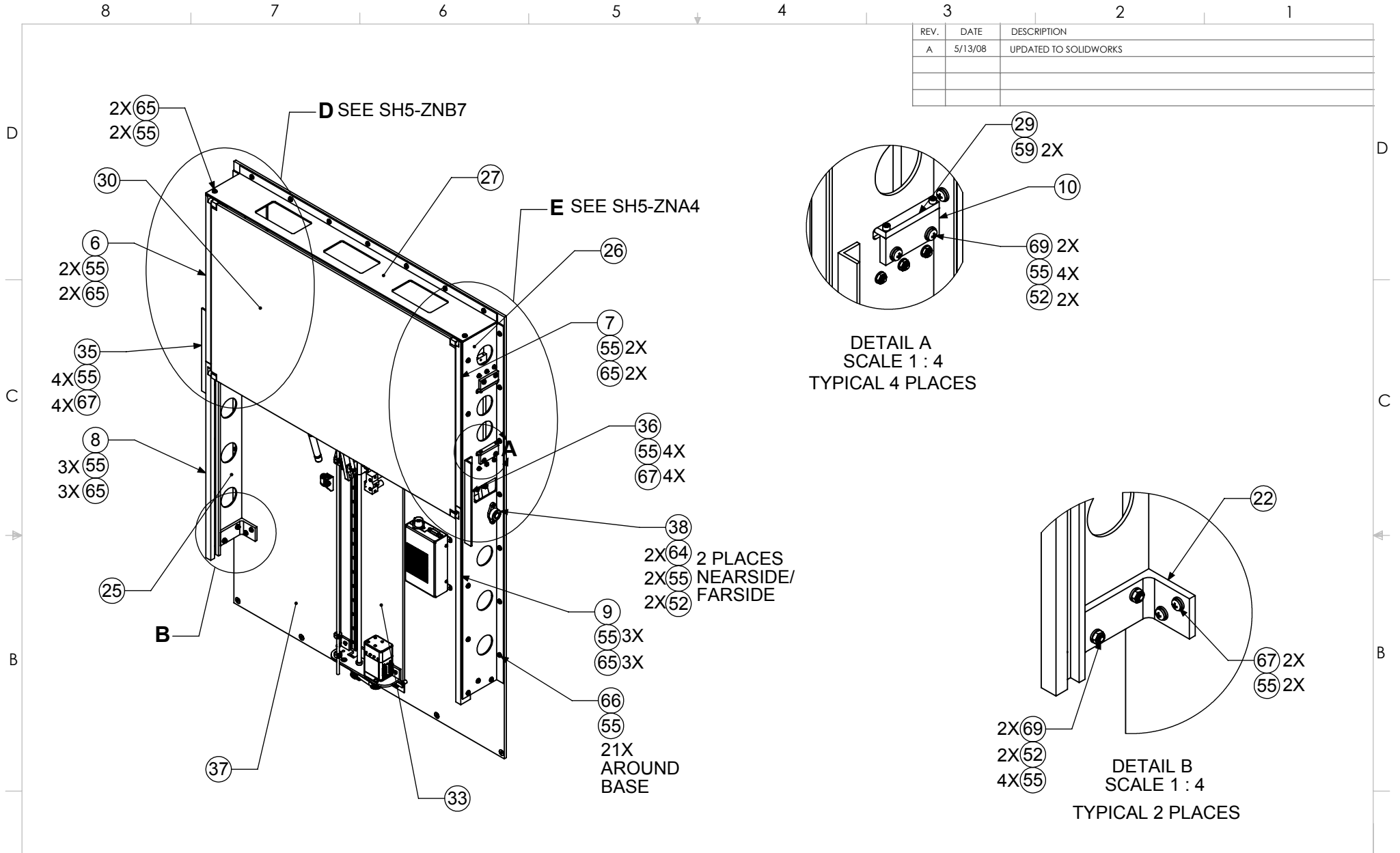
A

12	69	MS27039-1-11	PHCS #10-32 X 0.718		1	50	9654K174	EXTENION SPRING	1
5	68	MS27039-1-10	PHCS #10-32 X 0.656		1	49	9416K11	GAS SPRING - 30#	1
14	67	MS27039-1-08	PHCS #10-32 X 0.531		2	48	92320A760	STEEL SPACER	1
23	66	MS27039-1-06	PHCS #10-32 X 0.406		1	47	92314A198	HEX HED #8-32 X 0.875	1
14	65	MS27039-1-05	PHCS #10-32 X 0.343		1	46	92314A196	HEX HED #8-32 X 0.625	1
4	64	MS24694-S51	FHMS 100 DEG #10-32 X 0.593		2	45	92311A425	SETSCREW, #10-32 X 0.25	1
8	63	MS24694-S49	FHMS 100 DEG #10-32 X 0.468		2	44	91590A113	SNAP RING - 1/4" SHAFT	1
8	62	MS24693-C27	FLAT HEAD, 100 DEG, #6-32 X 0.4375		16	43	91290A115	SHCS M3 X 10 MM	1
2	61	MS16995-51	SHCS 1/4-20 X 0.875		4	42	91259A533	SHOULDER SCREW	1
12	60	MS16995-18	SHCS #6-32 X 0.5		3	41	90126A512	FLAT WASHER - NO. 8	1
8	59	MS16995-17	SHCS #6-32 X 0.375		4	40	6832K59	SPUR GEAR	1
4	58	MGN12C1R100Z0H	LINEAR GUIDE		3	39	6436K12	SHAFT COLLAR	1
12	57	AN960-C6	FLAT WASHER - NO. 6		2	38	5912K43	FLANGE BEARING	1
6	56	AN960-C416	FLAT WASHER - 1/4"		1	37	3528395-1	BASE PANEL ASM - 31 INCH	
94	55	AN960-C10	FLAT WASHER - NO. 10		1	36	3528394-2	SIDE SUPPORT GUSSET - 31 INCH	
1	54	AN364-832	STOP NUT - #8-32 NC-2B		1	35	3528394-1	SIDE SUPPORT GUSSET - 31 INCH	
12	53	AN364-632	STOP NUT - #6-32 NC-2B		2	34	3528393-1	MONITOR BRACKET - 31 INCH	
16	52	AN364-1032	STOP NUT - #10-32 NF-3B		1	33	3528392-1	MOTOR PANEL ASM	
6	51	AN3-4	HEX HEAD SCREW #10-32 X 0.531		1	32	3528390-1	SHOCK ARM BUSHING	
-1	ITEM	PART NUMBER	Description	NOTE	1	31	3528388-1	BUSHING - STOP	
					1	30	3528385-3	PICTURE PANEL ASM	
					4	29	3528382-1	GEAR RACK	
					5	28	3528378-1	BUSHING	
					1	27	3528365-1	TOP SUPPORT	
					1	26	3528362-2	SIDE SUPPORT RH	
					-1	ITEM	PART NUMBER	Description	NOTE

UNLESS OTHERWISE SPECIFIED DIMENSIONS ARE IN INCHES			DRAWN BY J CILEO		DATE 05/13/08	 5362 INDUSTRIAL DRIVE HUNTINGTON BEACH, CA 92649
TOLERANCES ON DECIMALS			CHECKED BY M HANSON		DATE 05/13/08	
ANGLES			APPROVED M HANSON		DATE 05/13/08	
.0 ± .1	MACH.	FORMED	Q.C.		DATE	
.00 ± .01	±0°30'	±2°	CUSTOMER		DATE	
.000 ± .005			DO NOT SCALE PRINT BREAK ALL SHARP EDGES		DATE	TITLE ARTWORK MECHANISM ASM
ODD DASH NO'S SHOWN NEXT HIGHER CONSECUTIVE EVEN DASH NUMBER OPPOSITE			SIZE A		SCALE 1:12	DRAWING NUMBER 3527-004
						SHEET NO. 2 OF 6

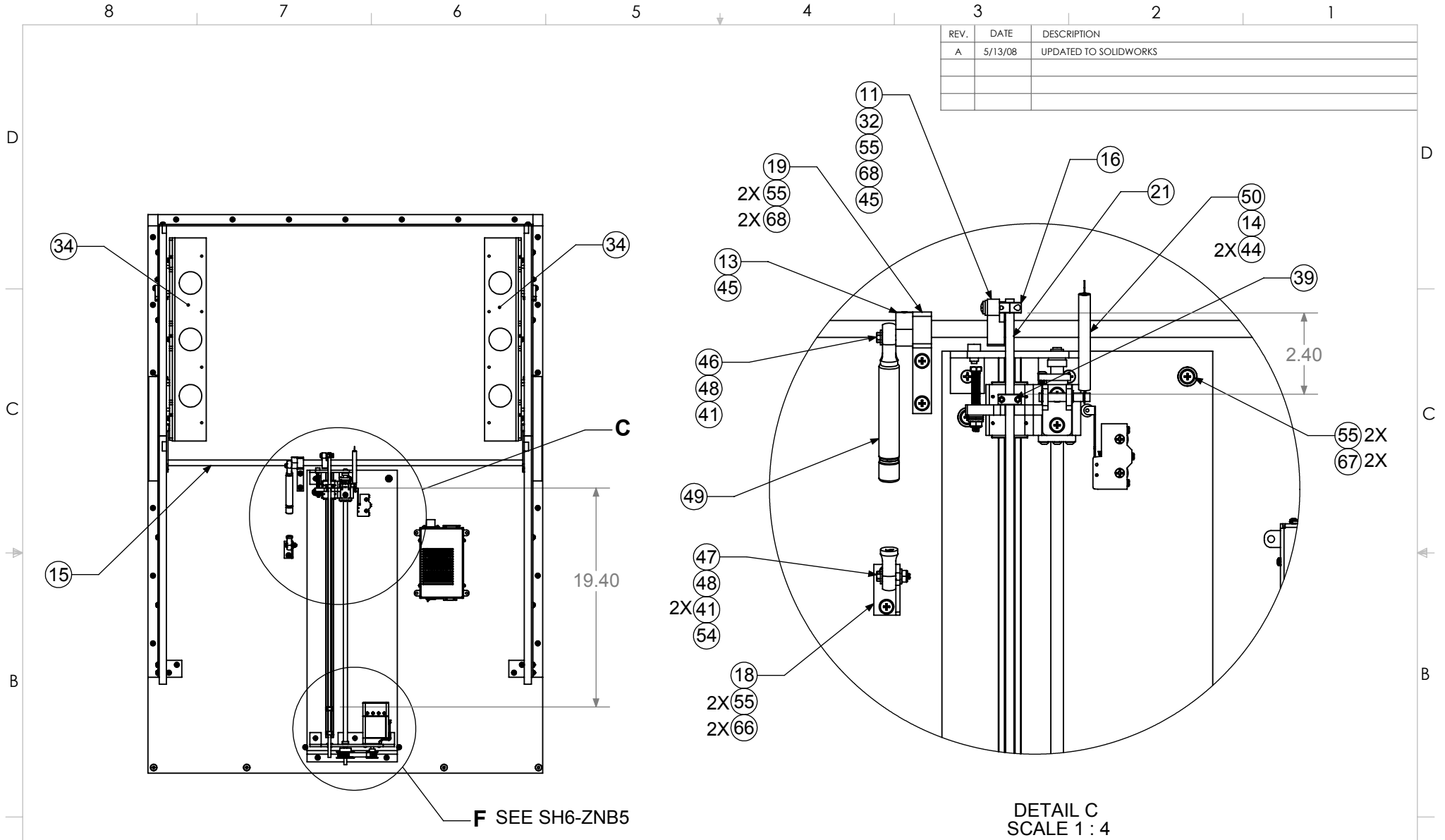
STEECON CORPORATION PROPRIETARY RIGHTS ARE INCLUDED IN THE INFORMATION DISCLOSED HEREIN. RECIPIENT BY ACCEPTING THIS DOCUMENT AGREES THAT NEITHER THIS DOCUMENT NOR THE INFORMATION DISCLOSED HEREIN NOR ANY PART THEREOF SHALL BE REPRODUCED OR TRANSFERRED TO OTHER DOCUMENTS OR USED OR DISCLOSED TO OTHERS FOR MANUFACTURING OR FOR ANY OTHER PURPOSE EXCEPT AS SPECIFICALLY AUTHORIZED IN WRITING BY STEECON CORPORATION.

REV.	DATE	DESCRIPTION
A	5/13/08	UPDATED TO SOLIDWORKS



UNLESS OTHERWISE SPECIFIED DIMENSIONS ARE IN INCHES			DRAWN BY J CILEO		DATE 05/13/08		 5362 INDUSTRIAL DRIVE HUNTINGTON BEACH, CA 92649 TITLE ARTWORK MECHANISM ASM
TOLERANCES ON DECIMALS			CHECKED BY M HANSON		DATE 05/13/08		
MACH. FORMED			APPROVED M HANSON		DATE 05/13/08		
Q.C.			CUSTOMER		DATE		
DO NOT SCALE PRINT BREAK ALL SHARP EDGES			SIZE A		SCALE 1:12		DRAWING NUMBER 3527-004
ODD DASH NO'S SHOWN NEXT HIGHER CONSECUTIVE EVEN DASH NUMBER OPPOSITE			SHEET NO. 3 OF 6				

STEECON CORPORATION PROPRIETARY RIGHTS ARE INCLUDED IN THE INFORMATION DISCLOSED HEREIN. RECIPIENT BY ACCEPTING THIS DOCUMENT AGREES THAT NEITHER THIS DOCUMENT NOR THE INFORMATION DISCLOSED HEREIN NOR ANY PART THEREOF SHALL BE REPRODUCED OR TRANSFERRED TO OTHER DOCUMENTS OR USED OR DISCLOSED TO OTHERS FOR MANUFACTURING OR FOR ANY OTHER PURPOSE EXCEPT AS SPECIFICALLY AUTHORIZED IN WRITING BY STEECON CORPORATION.



REV.	DATE	DESCRIPTION
A	5/13/08	UPDATED TO SOLIDWORKS

PICTURE PANEL ASM REMOVED FOR CLARITY

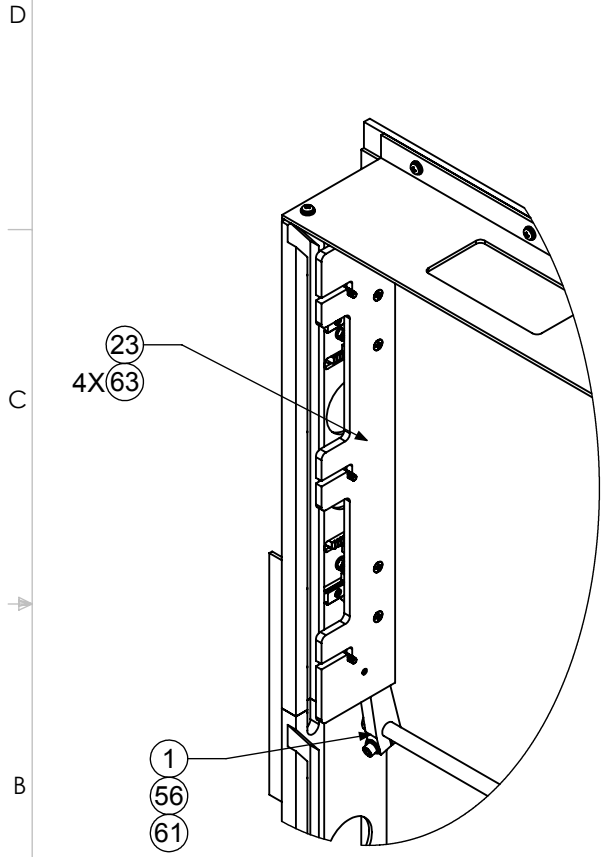
DETAIL C
SCALE 1 : 4

UNLESS OTHERWISE SPECIFIED DIMENSIONS ARE IN INCHES		DRAWN BY J CILEO	DATE 05/13/08	 5362 INDUSTRIAL DRIVE HUNTINGTON BEACH, CA 92649
TOLERANCES ON DECIMALS		CHECKED BY M HANSON	DATE 05/13/08	
.0 ± .1	MACH.	APPROVED M HANSON	DATE 05/13/08	
.00 ± .01	FORMED	Q.C.	DATE	
.000 ± .005	±0°30'	±2°	CUSTOMER	TITLE ARTWORK MECHANISM ASM
DO NOT SCALE PRINT BREAK ALL SHARP EDGES			DATE	DRAWING NUMBER 3527-004
ODD DASH NO'S SHOWN NEXT HIGHER CONSECUTIVE EVEN DASH NUMBER OPPOSITE			SIZE A	SCALE 1:12
				SHEET NO. 4 OF 6

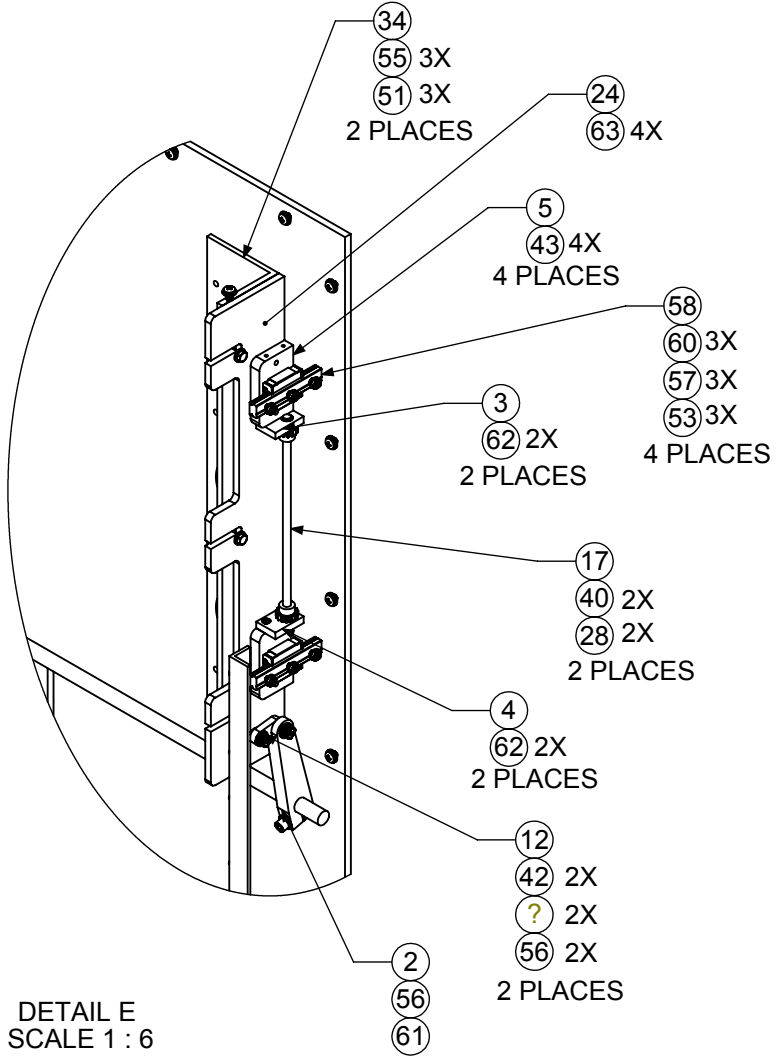
STEECON CORPORATION PROPRIETARY RIGHTS ARE INCLUDED IN THE INFORMATION DISCLOSED HEREIN. RECIPIENT BY ACCEPTING THIS DOCUMENT AGREES THAT NEITHER THIS DOCUMENT NOR THE INFORMATION DISCLOSED HEREIN NOR ANY PART THEREOF SHALL BE REPRODUCED OR TRANSFERRED TO OTHER DOCUMENTS OR USED OR DISCLOSED TO OTHERS FOR MANUFACTURING OR FOR ANY OTHER PURPOSE EXCEPT AS SPECIFICALLY AUTHORIZED IN WRITING BY STEECON CORPORATION.

8 7 6 5 4 3 2 1


REV.	DATE	DESCRIPTION
A	5/13/08	UPDATED TO SOLIDWORKS



DETAIL D
SCALE 1 : 6
SOME ITEMS REMOVED FOR CLARITY



DETAIL E
SCALE 1 : 6
SOME ITEMS REMOVED FOR CLARITY

UNLESS OTHERWISE SPECIFIED DIMENSIONS ARE IN INCHES			DRAWN BY J CILEO		DATE 05/13/08		 STEECON ENTERPRISES 5362 INDUSTRIAL DRIVE HUNTINGTON BEACH, CA 92649
TOLERANCES ON DECIMALS			CHECKED BY M HANSON		DATE 05/13/08		
MACH. FORMED			APPROVED M HANSON		DATE 05/13/08		
Q.C.			CUSTOMER		DATE		
DO NOT SCALE PRINT BREAK ALL SHARP EDGES			ODD DASH NO'S SHOWN NEXT HIGHER CONSECUTIVE EVEN DASH NUMBER OPPOSITE		DATE		TITLE ARTWORK MECHANISM ASM
.0 ± .1 .00 ± .01 .000 ± .005			±0°30' ±2°		SIZE A		SCALE 1:12
					DRAWING NUMBER 3527-004		SHEET NO. 5 OF 6

STEECON CORPORATION PROPRIETARY RIGHTS ARE INCLUDED IN THE INFORMATION DISCLOSED HEREIN. RECIPIENT BY ACCEPTING THIS DOCUMENT AGREES THAT NEITHER THIS DOCUMENT NOR THE INFORMATION DISCLOSED HEREIN NOR ANY PART THEREOF SHALL BE REPRODUCED OR TRANSFERRED TO OTHER DOCUMENTS OR USED OR DISCLOSED TO OTHERS FOR MANUFACTURING OR FOR ANY OTHER PURPOSE EXCEPT AS SPECIFICALLY AUTHORIZED IN WRITING BY STEECON CORPORATION.

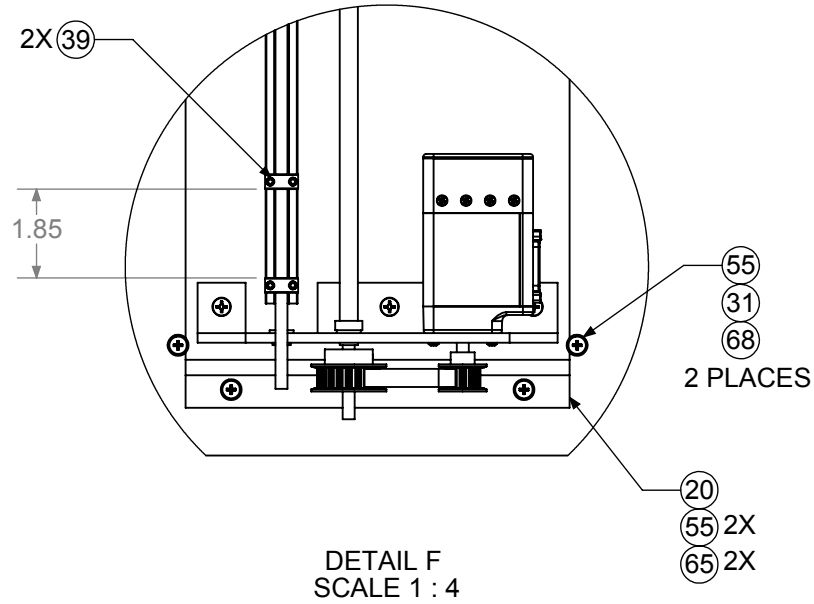
8 7 6 5 4 3 2 1


8 7 6 5 4 3 2 1

REV.	DATE	DESCRIPTION
A	5/13/08	UPDATED TO SOLIDWORKS

D
C
B
A

D
C
B
A



UNLESS OTHERWISE SPECIFIED DIMENSIONS ARE IN INCHES			DRAWN BY J CILEO		DATE 05/13/08		 5362 INDUSTRIAL DRIVE HUNTINGTON BEACH, CA 92649
TOLERANCES ON DECIMALS ANGLES			CHECKED BY M HANSON		DATE 05/13/08		
.0 ± .1	MACH.	FORMED	APPROVED M HANSON		DATE 05/13/08		
.00 ± .01	±0°30'	±2°	Q.C.		DATE		
.000 ± .005			CUSTOMER		DATE		TITLE ARTWORK MECHANISM ASM
DO NOT SCALE PRINT BREAK ALL SHARP EDGES					SIZE A	SCALE 1:12	DRAWING NUMBER 3527-004
ODD DASH NO'S SHOWN NEXT HIGHER CONSECUTIVE EVEN DASH NUMBER OPPOSITE							SHEET NO. 6 OF 6

STEECON CORPORATION PROPRIETARY RIGHTS ARE INCLUDED IN THE INFORMATION DISCLOSED HEREIN. RECIPIENT BY ACCEPTING THIS DOCUMENT AGREES THAT NEITHER THIS DOCUMENT NOR THE INFORMATION DISCLOSED HEREIN NOR ANY PART THEREOF SHALL BE REPRODUCED OR TRANSFERRED TO OTHER DOCUMENTS OR USED OR DISCLOSED TO OTHERS FOR MANUFACTURING OR FOR ANY OTHER PURPOSE EXCEPT AS SPECIFICALLY AUTHORIZED IN WRITING BY STEECON CORPORATION.

8 7 6 5 4 3 2 1