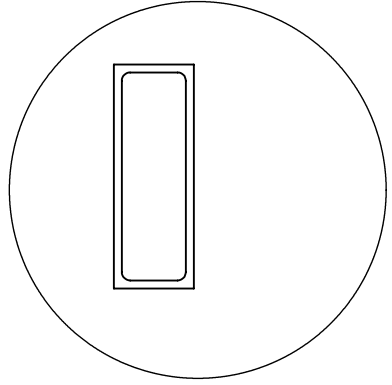


8 7 6 5 4 3 2 1

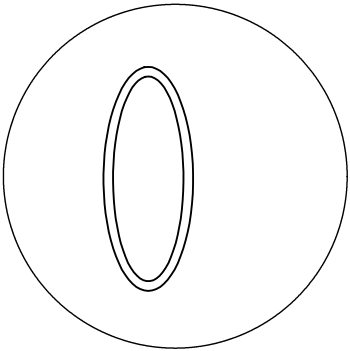
**NOTE:**

**3519-198 CAN BE SUPPLIED WITH THE FOLLOWING HANDLES:  
1) P/N 3502419 HANDLE  
2) P/N 3502675 HANDLE**

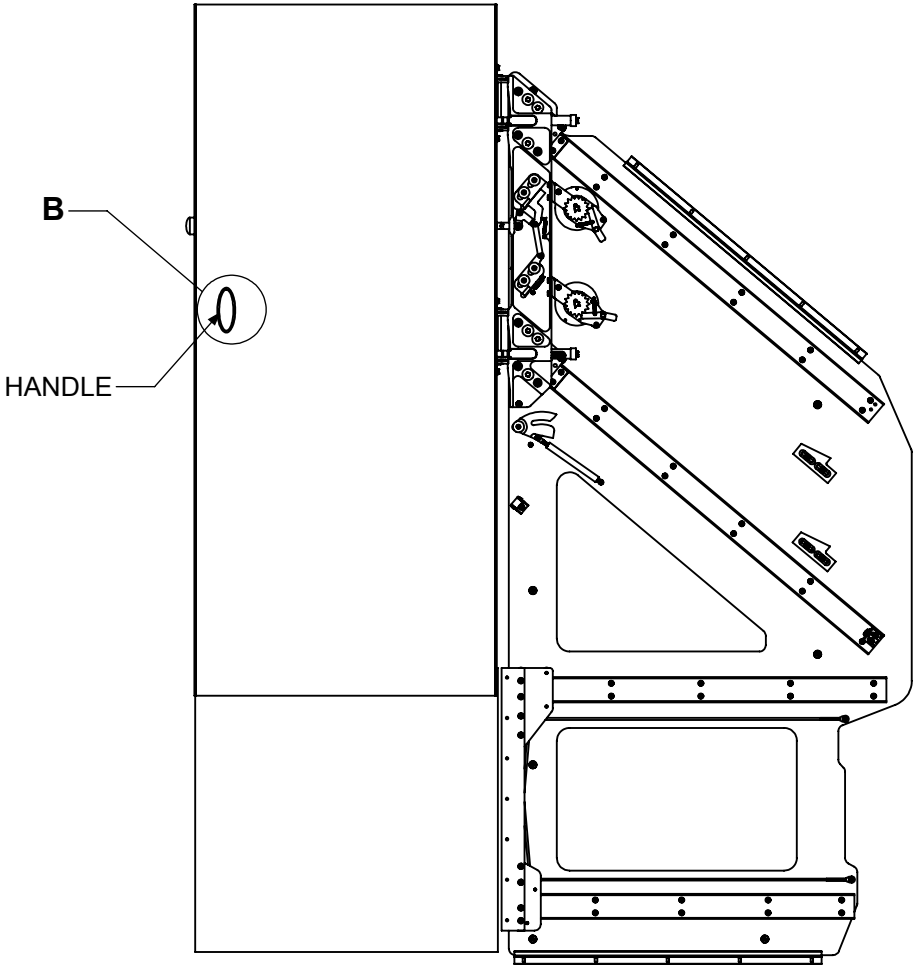
REV.	DATE	DESCRIPTION
IR	11/26/12	INITIAL RELEASE



DETAIL B  
SCALE 1 : 3  
3502675-1 HANDLE



DETAIL B  
SCALE 1 : 3  
3502419-1 HANDLE



**DETAIL -1 POCKET DOOR ASSEMBLY**

UNLESS OTHERWISE SPECIFIED DIMENSIONS ARE IN INCHES			DRAWN BY	MT	DATE	11/26/12	 5362 INDUSTRIAL DRIVE HUNTINGTON BEACH, CA 92649 TITLE <b>POKET DOOR ASSEMBLY-24IN</b> DRAWING NUMBER <b>3519-198</b> SHEET NO. 3 OF 4
TOLERANCES ON DECIMALS			CHECKED BY	MH	DATE	11/26/12	
.0 ± .1	MACH.	FORMED	APPROVED	MH	DATE	11/26/12	
.00 ± .01			±0°30'	±2°			
.000 ± .005			DO NOT SCALE PRINT BREAK ALL SHARP EDGES			SIZE	SCALE
ODD DASH NO'S SHOWN NEXT HIGHER CONSECUTIVE EVEN DASH NUMBER OPPOSITE						A	1:15

STEECON CORPORATION PROPRIETARY RIGHTS ARE INCLUDED IN THE INFORMATION DISCLOSED HEREIN. RECIPIENT BY ACCEPTING THIS DOCUMENT AGREES THAT NEITHER THIS DOCUMENT NOR THE INFORMATION DISCLOSED HEREIN NOR ANY PART THEREOF SHALL BE REPRODUCED OR TRANSFERRED TO OTHER DOCUMENTS OR USED OR DISCLOSED TO OTHERS FOR MANUFACTURING OR FOR ANY OTHER PURPOSE EXCEPT AS SPECIFICALLY AUTHORIZED IN WRITING BY STEECON CORPORATION.

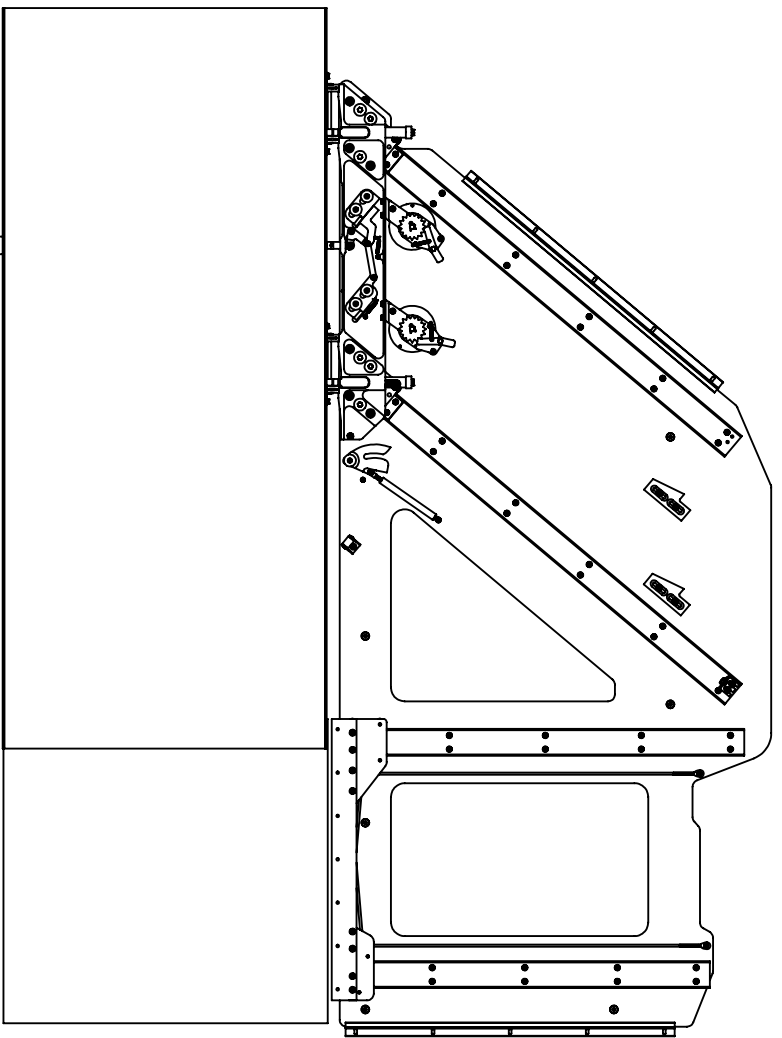
8 7 6 5 4 3 2 1

D C B A REV IR+ B REV IR+ FILE:3519-198 POKET DOOR ASSEMBLY-24IN

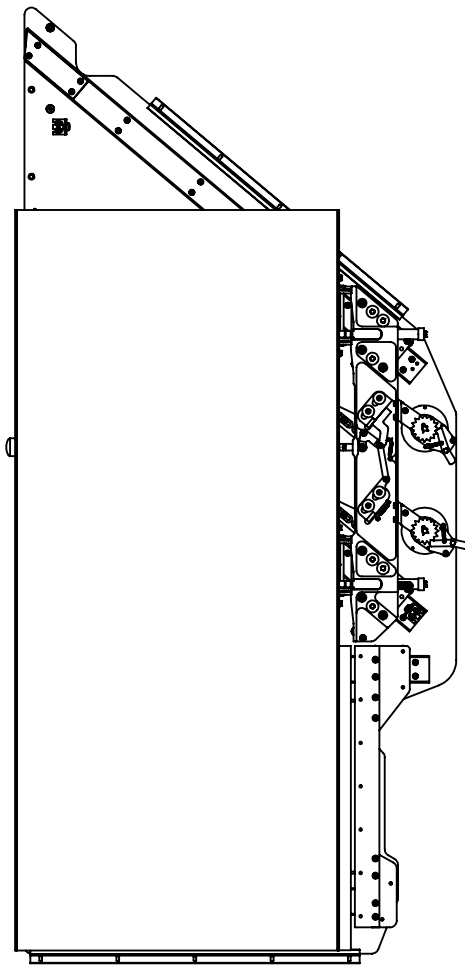
8 7 6 5 4 3 2 1

REV.	DATE	DESCRIPTION
IR	11/26/12	INITIAL RELEASE

D  
C  
B  
A



**DETAIL-3 POCKET DOOR ASSEMBLY  
DEPLOYED**




**DETAIL-3 POCKET DOOR ASSEMBLY  
STOWED**

D  
C  
B  
REV IR+

FILE:3519-198 POKET DOOR ASSEMBLY-24IN

STEECON CORPORATION PROPRIETARY RIGHTS ARE INCLUDED IN THE INFORMATION DISCLOSED HEREIN. RECIPIENT BY ACCEPTING THIS DOCUMENT AGREES THAT NEITHER THIS DOCUMENT NOR THE INFORMATION DISCLOSED HEREIN NOR ANY PART THEREOF SHALL BE REPRODUCED OR TRANSFERRED TO OTHER DOCUMENTS OR USED OR DISCLOSED TO OTHERS FOR MANUFACTURING OR FOR ANY OTHER PURPOSE EXCEPT AS SPECIFICALLY AUTHORIZED IN WRITING BY STEECON CORPORATION.

UNLESS OTHERWISE SPECIFIED DIMENSIONS ARE IN INCHES			DRAWN BY	MT	DATE	11/26/12	 5362 INDUSTRIAL DRIVE HUNTINGTON BEACH, CA 92649 TITLE <b>POKET DOOR ASSEMBLY-24IN</b> DRAWING NUMBER <b>3519-198</b> SHEET NO. <b>4 OF 4</b>
TOLERANCES ON DECIMALS			CHECKED BY	MH	DATE	11/26/12	
.0 ± .1	MACH.	FORMED	APPROVED	MH	DATE	11/26/12	
.00 ± .01	±0°30'	±2°					
.000 ± .005							
DO NOT SCALE PRINT BREAK ALL SHARP EDGES							
ODD DASH NO'S SHOWN NEXT HIGHER CONSECUTIVE EVEN DASH NUMBER OPPOSITE							
	SIZE	A	SCALE	1:14			

8 7 6 5 4 3 2 1