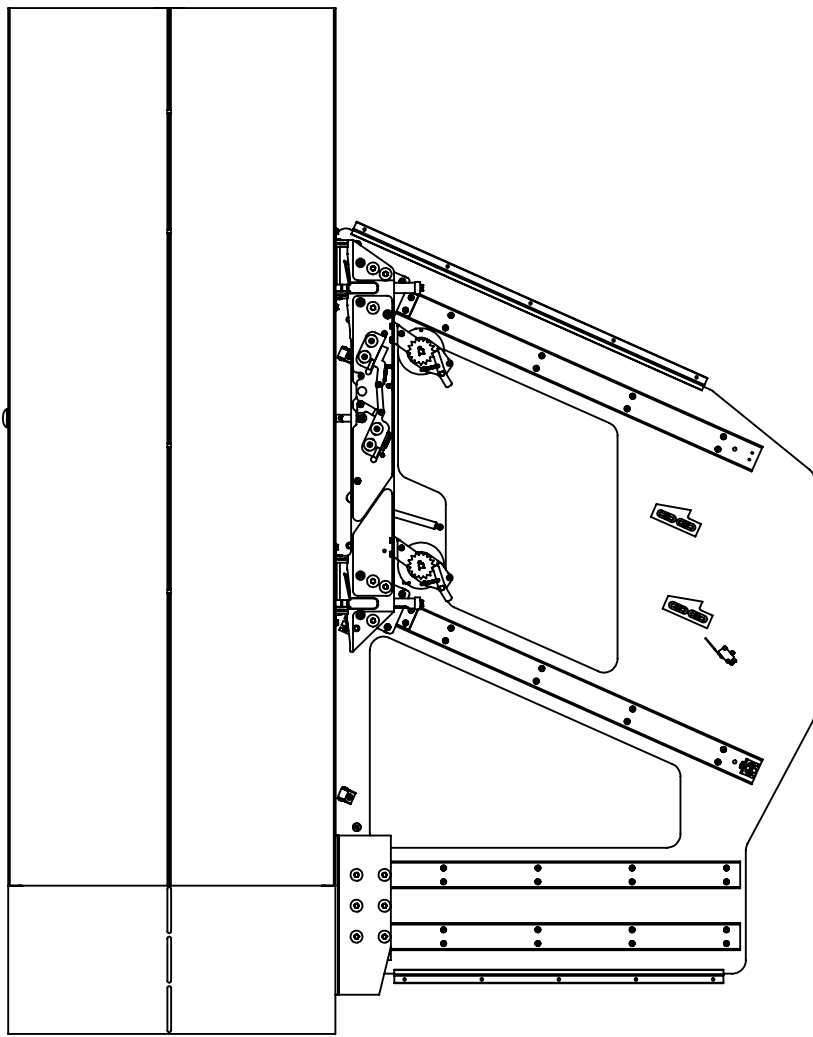
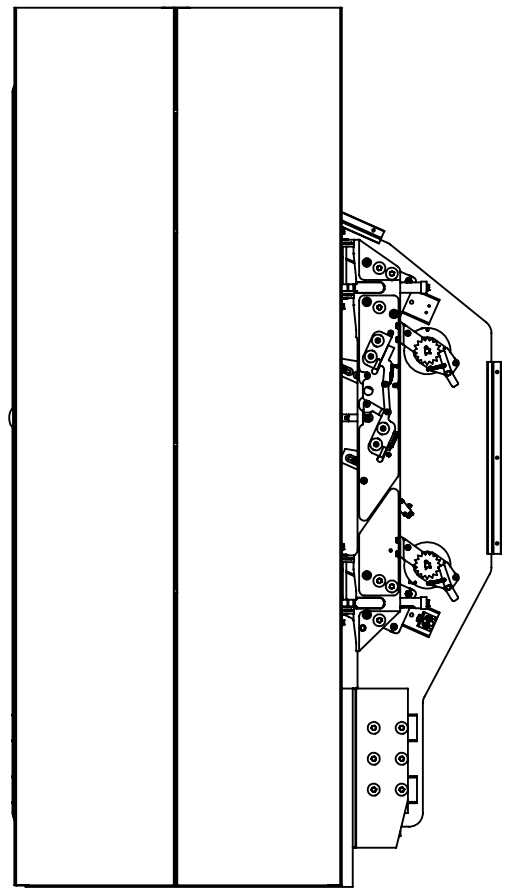


8 7 6 5 4 3 2 1

REV.	DATE	DESCRIPTION
IR	11/26/12	INITIAL RELEASE



DETAIL-3 POCKET DOOR ASSEMBLY  
DEPLOYED




DETAIL-3 POCKET DOOR ASSEMBLY  
STOWED

D  
C  
B  
A

D  
C  
B  
REV IR

STEECON CORPORATION PROPRIETARY RIGHTS ARE INCLUDED IN THE INFORMATION DISCLOSED HEREIN. RECIPIENT BY ACCEPTING THIS DOCUMENT AGREES THAT NEITHER THIS DOCUMENT NOR THE INFORMATION DISCLOSED HEREIN NOR ANY PART THEREOF SHALL BE REPRODUCED OR TRANSFERRED TO OTHER DOCUMENTS OR USED OR DISCLOSED TO OTHERS FOR MANUFACTURING OR FOR ANY OTHER PURPOSE EXCEPT AS SPECIFICALLY AUTHORIZED IN WRITING BY STEECON CORPORATION.

UNLESS OTHERWISE SPECIFIED DIMENSIONS ARE IN INCHES		DRAWN BY	MT	DATE	11/26/12	 5362 INDUSTRIAL DRIVE HUNTINGTON BEACH, CA 92649 TITLE <b>POCKET DOOR ASSEMBLY-24IN</b>
TOLERANCES ON DECIMALS		CHECKED BY	MH	DATE	11/26/12	
ANGLES		APPROVED	MH	DATE	11/26/12	
.0 ± .1	MACH.					
.00 ± .01	FORMED					
.000 ± .005	±0°30'					
DO NOT SCALE PRINT BREAK ALL SHARP EDGES						
ODD DASH NO'S SHOWN NEXT HIGHER CONSECUTIVE EVEN DASH NUMBER OPPOSITE				SIZE	A	
				SCALE	1:14	
				DRAWING NUMBER	3519-197	
				SHEET NO.	4 OF 4	

8 7 6 5 4 3 2 1

FILE:3519-197 POCKET DOOR ASSEMBLY-24INCH