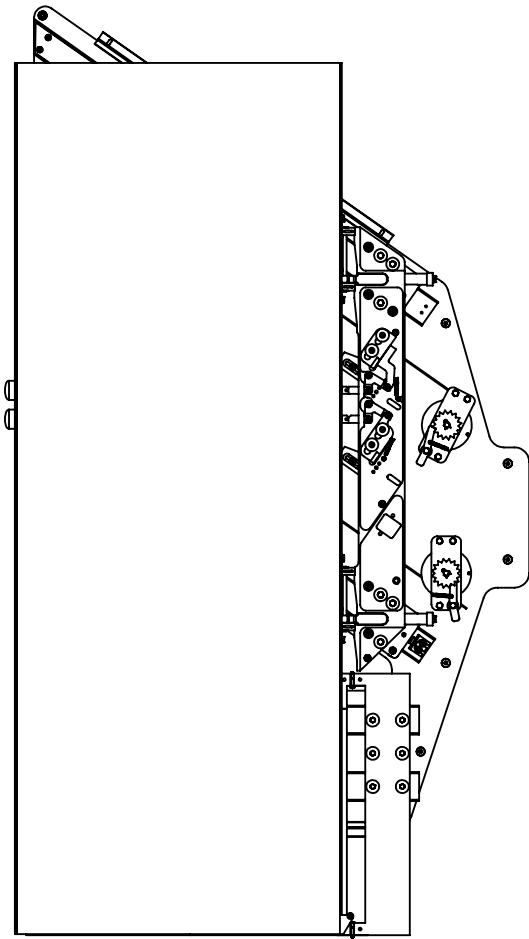
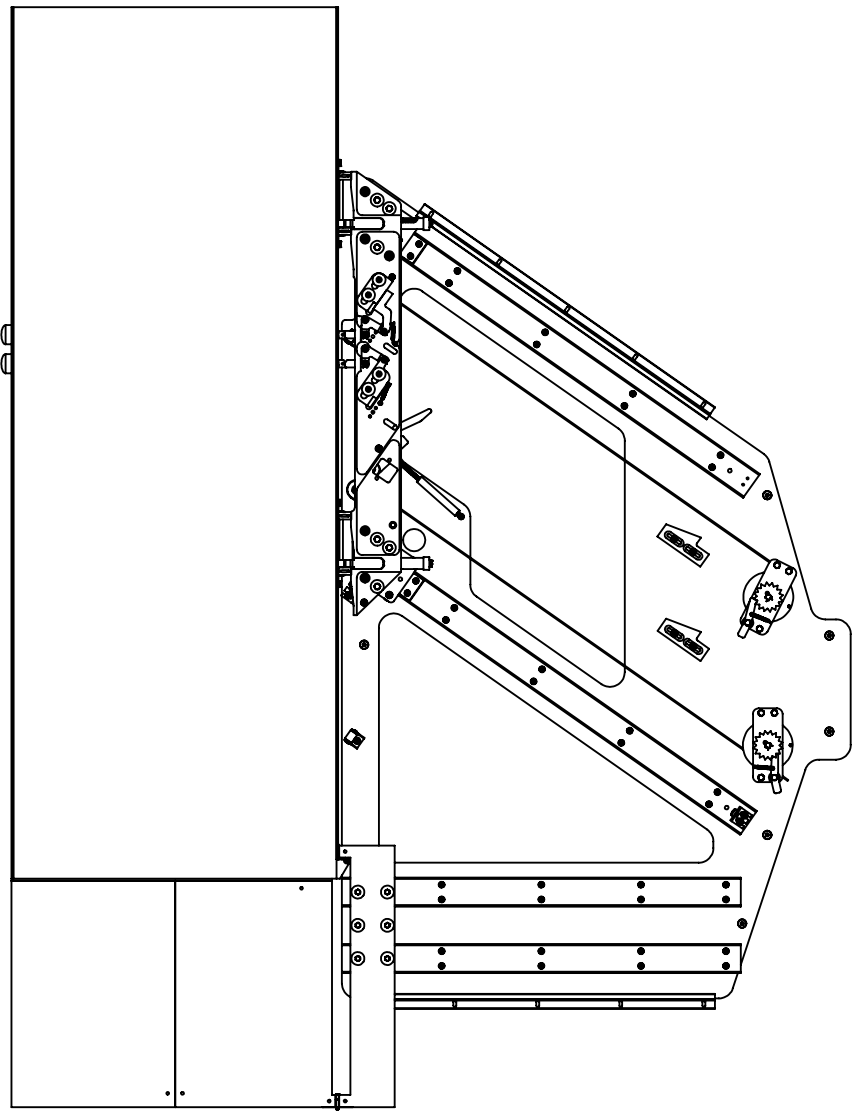



REV.	DATE	DESCRIPTION
IR	09/16/10	INITIAL RELEASE
A	2/16/11	ASSEMBLY UPDATED
B	6/13/11	3502970-3 REPLACED WITH 3502970-1
C	10/25/11	PAGE 3 ADDED



**3519-182-3 POCKET DOOR ASSEMBLY  
DEPLOYED**

**3519-182-3 POCKET DOOR ASSEMBLY  
STOWED**

UNLESS OTHERWISE SPECIFIED DIMENSIONS ARE IN INCHES		DRAWN BY	MT	DATE	09/16/10	 5362 INDUSTRIAL DRIVE HUNTINGTON BEACH, CA 92649
TOLERANCES ON DECIMALS		CHECKED BY	MH	DATE	09/16/10	
.0 ± .1	MACH.	APPROVED	MH	DATE	09/16/10	
.00 ± .01	FORMED					
.000 ± .005	±0°30'					TITLE
DO NOT SCALE PRINT BREAK ALL SHARP EDGES						POCKET DOOR ASSEMBLY
ODD DASH NO'S SHOWN NEXT HIGHER CONSECUTIVE EVEN DASH NUMBER OPPOSITE						DRAWING NUMBER
				SIZE	A	3519-182
				SCALE	1:13	SHEET NO.
						4 OF 4

STEECON CORPORATION PROPRIETARY RIGHTS ARE INCLUDED IN THE INFORMATION DISCLOSED HEREIN. RECIPIENT BY ACCEPTING THIS DOCUMENT AGREES THAT NEITHER THIS DOCUMENT NOR THE INFORMATION DISCLOSED HEREIN NOR ANY PART THEREOF SHALL BE REPRODUCED OR TRANSFERRED TO OTHER DOCUMENTS OR USED OR DISCLOSED TO OTHERS FOR MANUFACTURING OR FOR ANY OTHER PURPOSE EXCEPT AS SPECIFICALLY AUTHORIZED IN WRITING BY STEECON CORPORATION.

FILE:3519-182 POCKET DOOR ASSEMBLY REV C