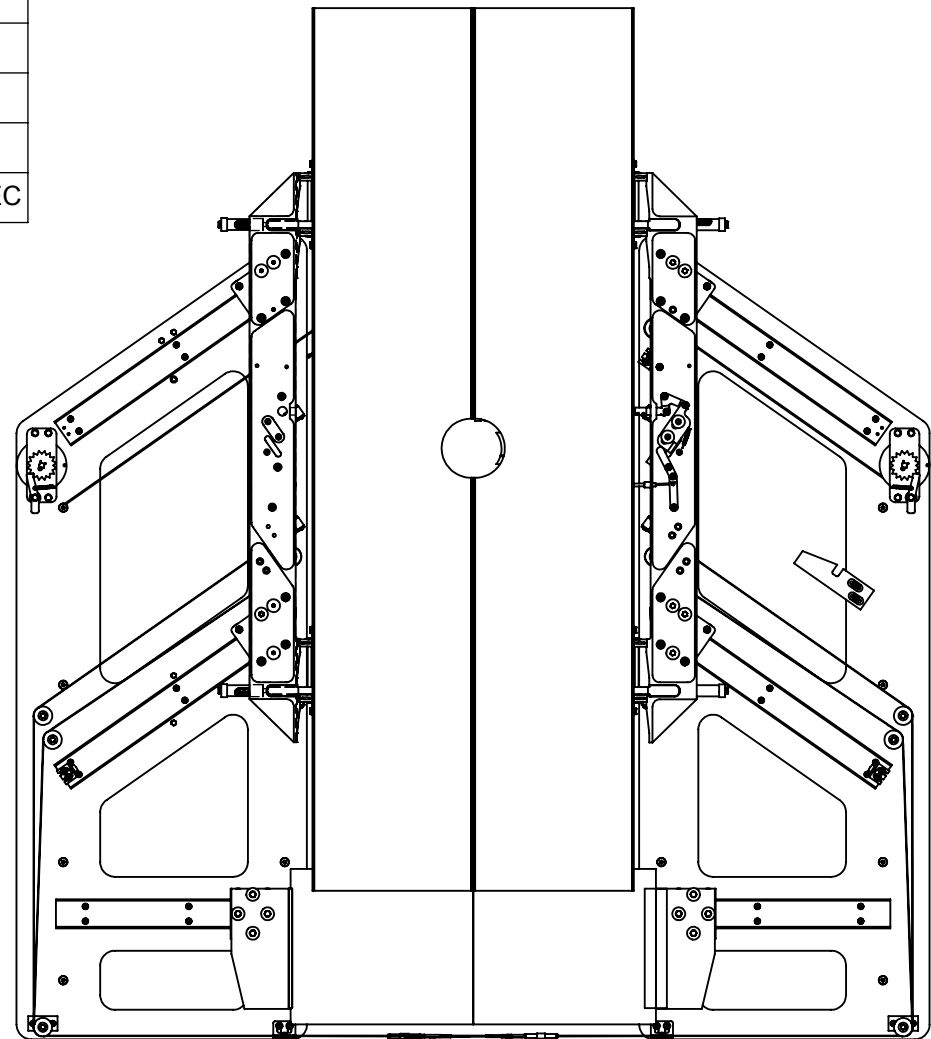



1	6	3502846-2	DOOR PANEL SUPPORT ASSEMBLY	
1	5	3502846-1	DOOR PANEL SUPPORT ASSEMBLY	
2	4	3502843-1	DOOR ASSEMBLY	
2	3	3502842-1	FOOTER ASSEMBLY	
1	2	3502810-2	FOLLOWER ASSEMBLY	
1	1	3502810-1	FOLLOWER ASSEMBLY	
-3/QTY.	ITEM	PART NUMBER	Description	SPEC

REV.	DATE	DESCRIPTION
IR	02/04/09	INITIAL RELEASE
A	05/27/10	UPDATED ASSEMBLY. DETAIL -1 CHANGED TO DETAIL -3
B	11/20/10	ASSEMBLY MODIFIED



**DETAIL -3 POCKET DOOR ASSEMBLY- DUAL DOOR**

UNLESS OTHERWISE SPECIFIED DIMENSIONS ARE IN INCHES			DRAWN BY	MT	DATE	02/04/09	 5362 INDUSTRIAL DRIVE HUNTINGTON BEACH, CA 92649
TOLERANCES ON DECIMALS			CHECKED BY	MH	DATE	02/06/09	
.0 ± .1	MACH.	FORMED	APPROVED	MH	DATE	02/06/09	
.00 ± .01	±0°30'	±2°					
.000 ± .005			DO NOT SCALE PRINT BREAK ALL SHARP EDGES				TITLE
			ODD DASH NO'S SHOWN NEXT HIGHER CONSECUTIVE EVEN DASH NUMBER OPPOSITE				POCKET DOOR ASSEMBLY DUAL DOOR
			SIZE	A	SCALE	1:13	DRAWING NUMBER
							3519-158
							SHEET NO.
							1 OF 3

STEECON CORPORATION PROPRIETARY RIGHTS ARE INCLUDED IN THE INFORMATION DISCLOSED HEREIN. RECIPIENT BY ACCEPTING THIS DOCUMENT AGREES THAT NEITHER THIS DOCUMENT NOR THE INFORMATION DISCLOSED HEREIN NOR ANY PART THEREOF SHALL BE REPRODUCED OR TRANSFERRED TO OTHER DOCUMENTS OR USED OR DISCLOSED TO OTHERS FOR MANUFACTURING OR FOR ANY OTHER PURPOSE EXCEPT AS SPECIFICALLY AUTHORIZED IN WRITING BY STEECON CORPORATION.

FILE: 3519-158 POCKET DOOR ASSEMBLY DUAL DOOR